

**CONVERTOR, TYPE M-134-T2
SCHEMATIC DIAGRAM**

AUTHENTICATION

DRAWN: HECKING
TRACED:
CHECKED:

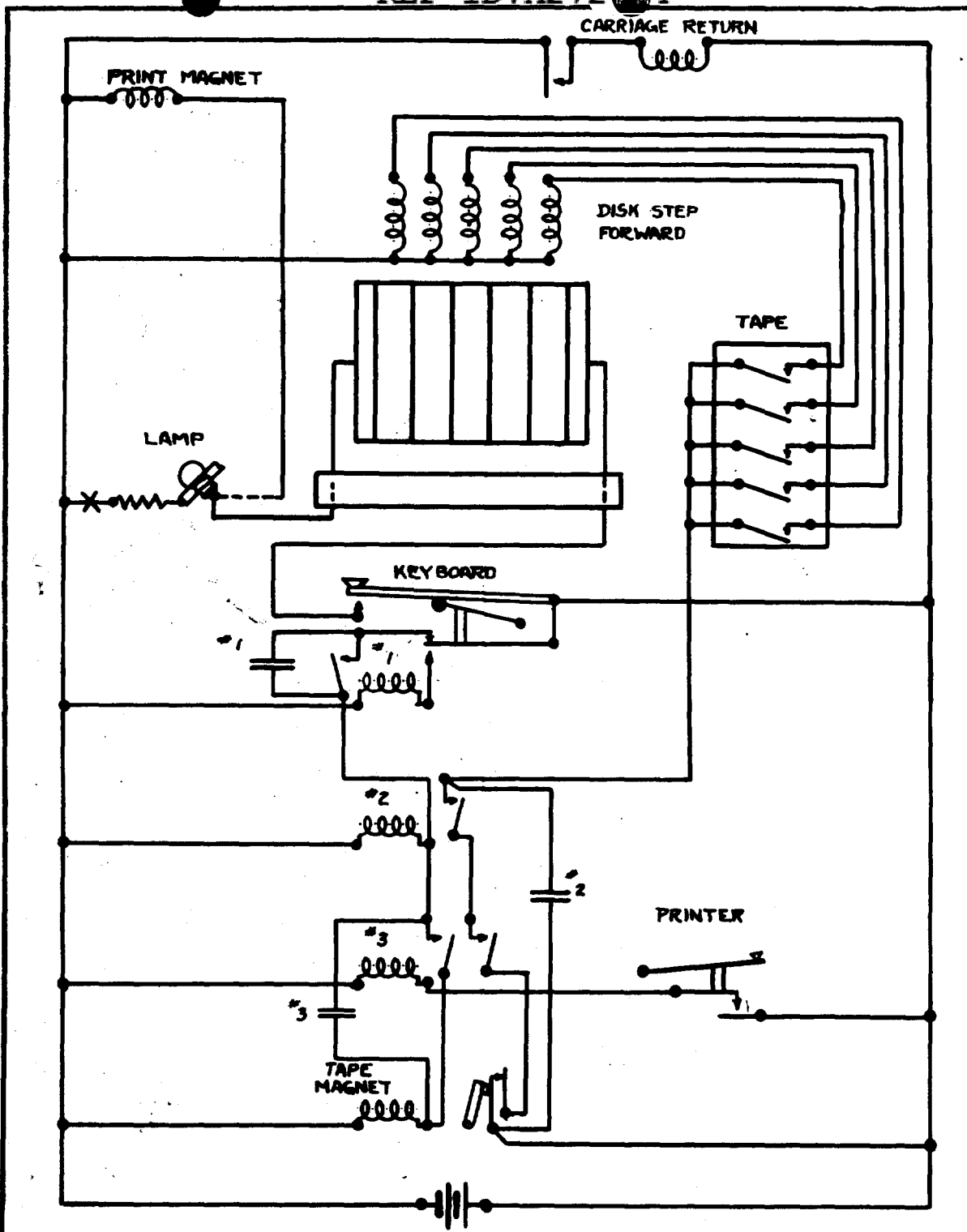
MADE: J.T.K.
CHECKED: J.T.K.
DATE JAN. 2, 1935

ENGINEER:
CH. OF SECT. J.A.G.
APPROVED: PROJ. OFFICER J.T.K.

**SIGNAL CORPS LABORATORIES
U. S. ARMY
FORT MONMOUTH NEW JERSEY**

ES-A-2750-A

ISSUE-A



**CONVERTOR, TYPE M-134-T2
SCHEMATIC DIAGRAM**

AUTHENTICATION

DRAWN: **NECKING**
 TRACED:
 CHECKED:

VERIFIED:
 APPROVED:
 DATE **APR. 21, 1935**

ENGINEER: *J.A.A.*
 CH. OF SEC. *J.A.A.*
 APPROVED
 PROJ OFFICER *J.A.A.*

**SIGNAL CORPS LABORATORIES
 U. S. ARMY
 FORT MONMOUTH NEW JERSEY**

ES-A-2802-A

ISSUE-A