

WAR DEPARTMENT
OFFICE OF THE CHIEF SIGNAL OFFICER
WASHINGTON

8

October 4, 1935

MEMORANDUM FOR: Research and Development Division.
(THRU: War Plans & Training Division)

1. Attached hereto are draft specifications and six drawings covering a new type of controlling means for cryptographic machines using rotatable commutators. The basic principle is, in my opinion, novel and very valuable. It is exemplified in several embodiments shown in the drawings.

2. This is the joint invention of the undersigned and one of my assistants, Mr. Frank B. Rowlett, Junior Cryptanalyst.

3. It is recommended that patent be applied for at once, to safeguard the government's interest, even though it may not be desirable to allow the patent to go to issue for some time.

William F. Friedman.

Encls.
Draft specifications,
6 drawings.

M-161 M-134-C

WAR DEPARTMENT
OFFICE OF THE CHIEF SIGNAL OFFICER

MEMORANDUM for

Office File

Drawings + specs on SIS DE 11

The [attached] was disclosed to Cndr.

MacFarlan + Lieut. Wenger, Code + Signal
Section, Navy Dept on Oct 21, 1935.

Oct. 21, 1935.

W. F. Friedman

Again described + disclosed to Lts Wenger,
Harper + Cndr McClaran on Oct 31, 1935 at Navy Dept.Again described to Lts. Wood + Dugan at this
Office on Nov 1, 1935.

U. F. J. ✓

FIG. 1.

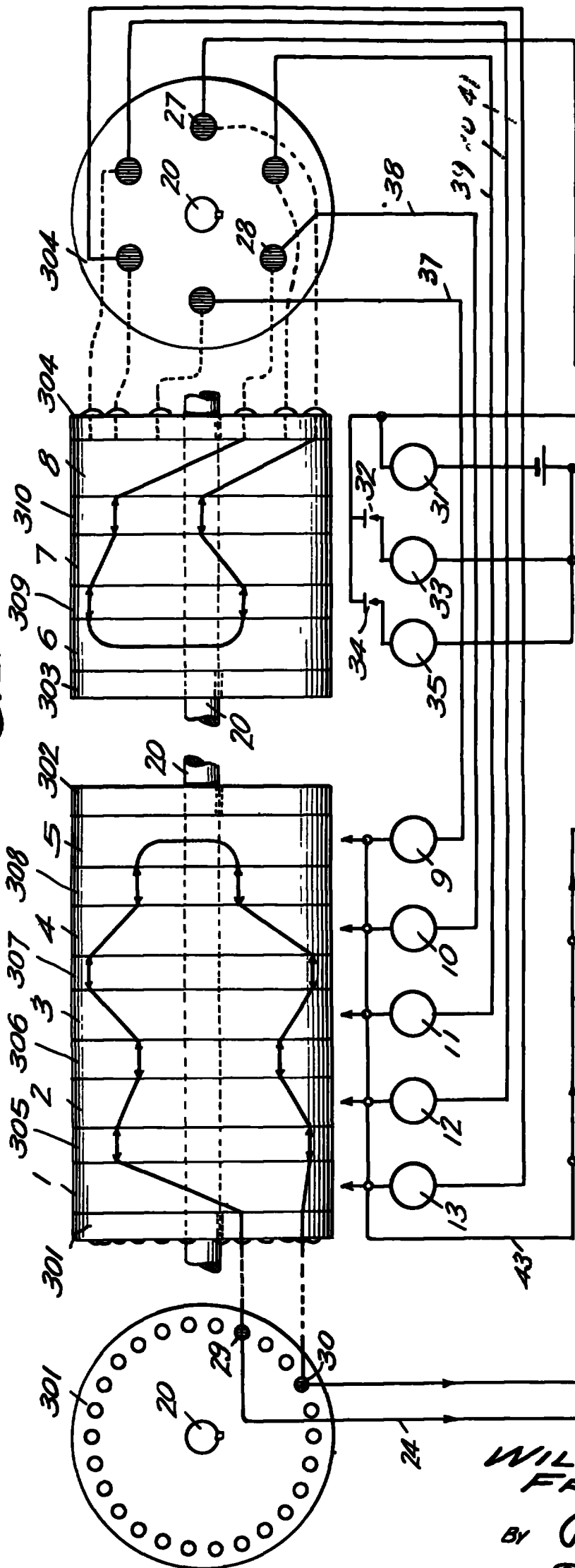
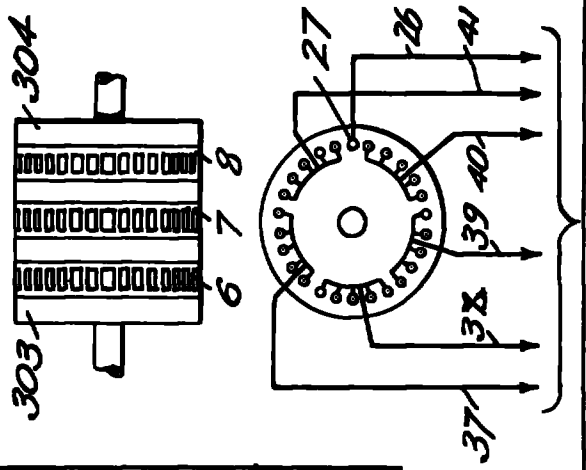


FIG. 2.



INVENTORS
WILLIAM F. FRIEDMAN
FRANK B. ROWLETT
 BY *Patent Haugli*
and
Charles A. Dowd
 ATTORNEYS

FIG. 4.

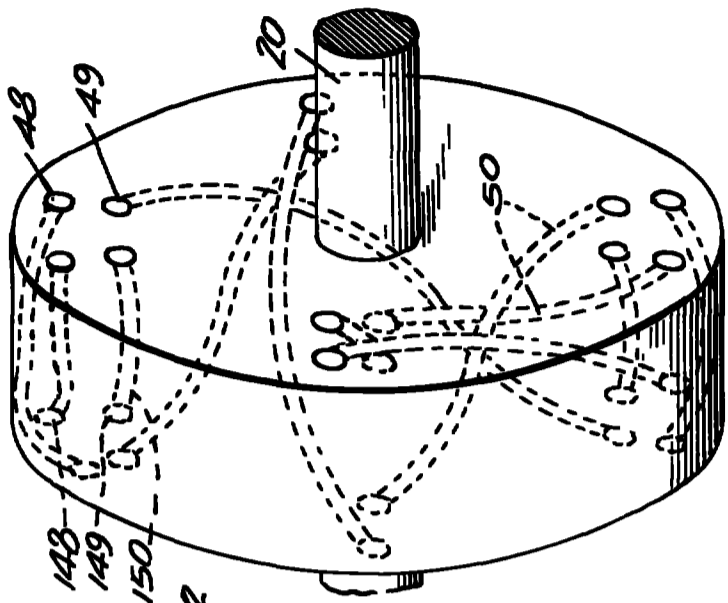
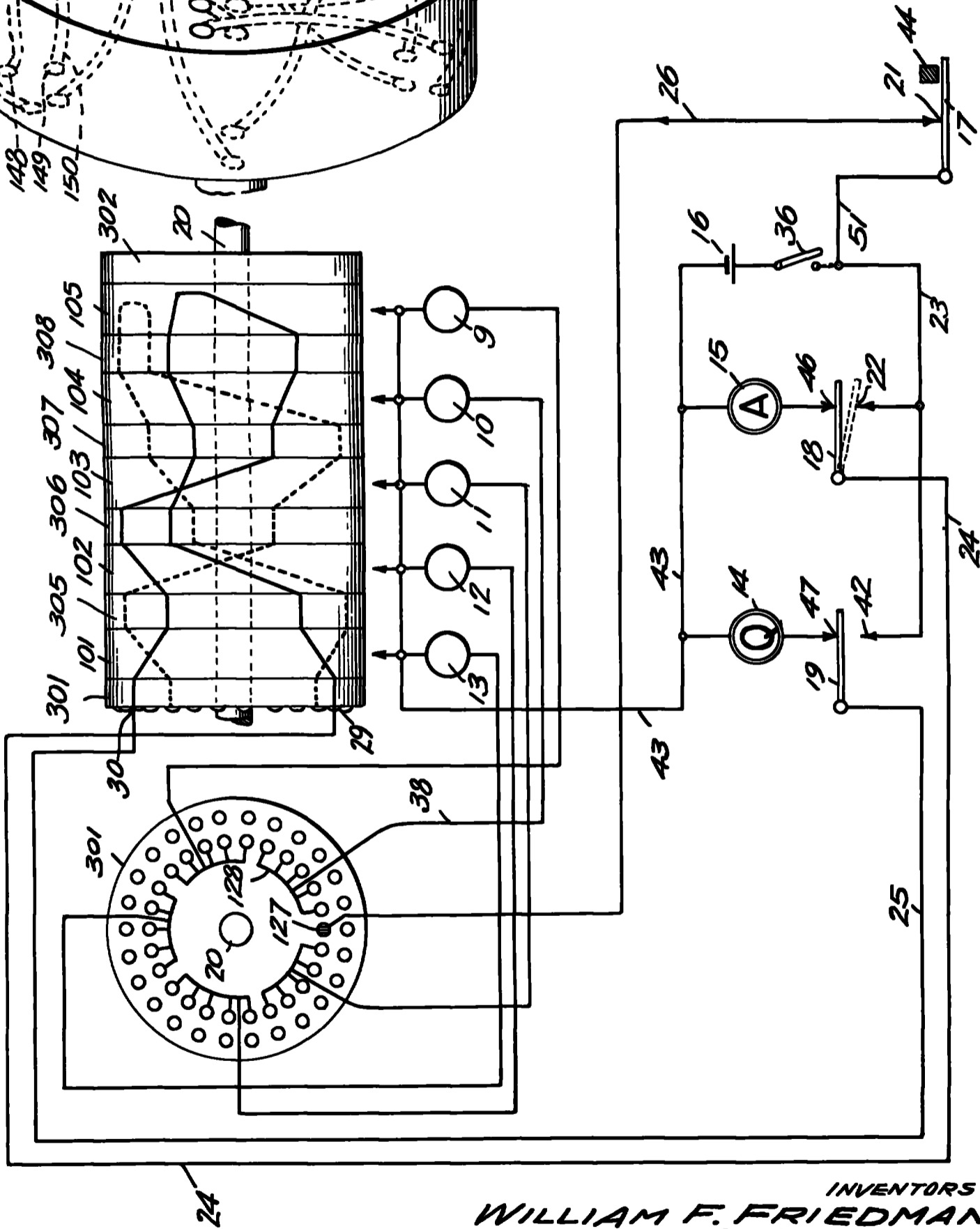
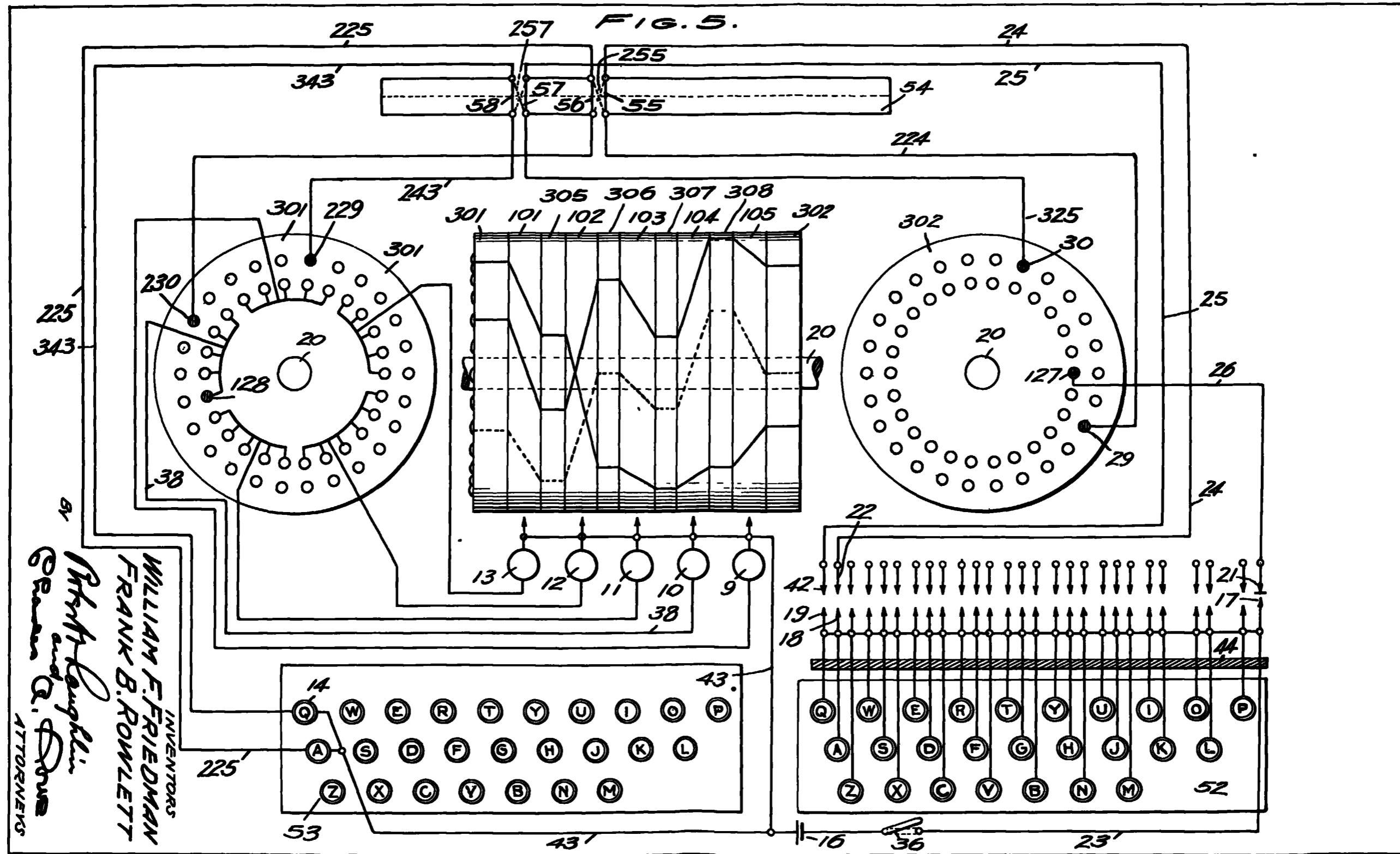


FIG. 3.



INVENTORS
 WILLIAM F. FRIEDMAN
 FRANK B. ROWLETT
 BY *Patent* Laughlin
 and
 Charles A. Rose
 ATTORNEYS

FIG. 5.



INVENTORS
 WILLIAM F. FRIEDMAN
 FRANK B. ROWLETT
 BY *Arthur Laughlin*
 Patent Attorneys
 GEORGE D. DAVIS

✓

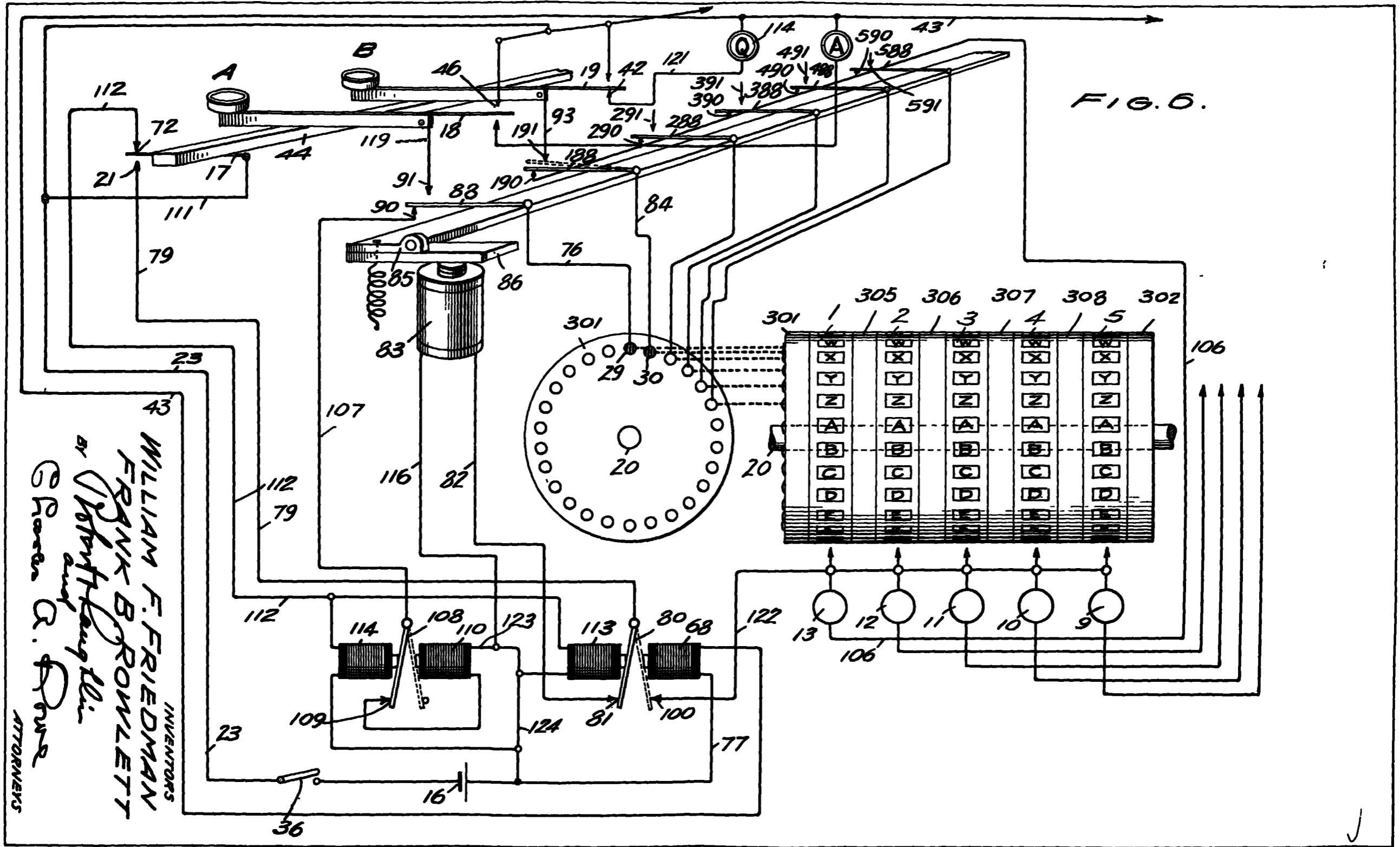


FIG. 6.

WILLIAM F. FRIEDMAN
 FRANK B. ROWLETT
 INVENTORS
 BY *Robert Langley*
 Charles R. Stone
 ATTORNEYS

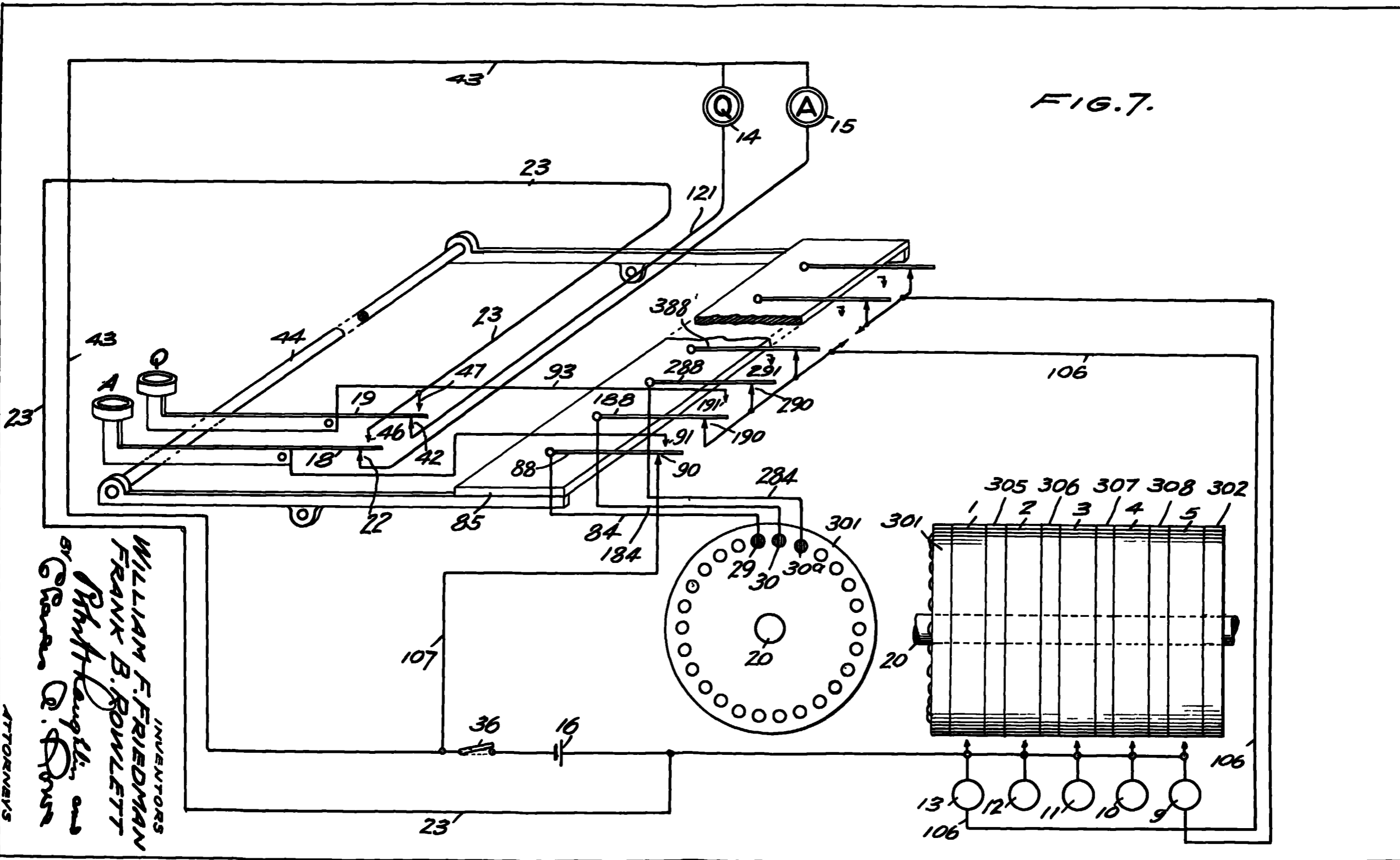


FIG. 7.

WILLIAM F. FRIEDMAN
 FRANK B. ROWLETT
 Inventors
 By *Robert Langley*
 Attorney
 57 Carson St. Boston

1st Memo Ind.

8

OCSigO, NP&T Division, Washington, D. C., October 14, 1935 - For Research and Development Division.

The War Plans and Training Division concurs in paragraph 3 of basic memorandum.

W. S. Rumbough,
Major, Signal Corps.

Encls. (no change).