

Schematic Representation  
of Operation of "System and  
Means for enciphering and  
Deciphering Magnetically  
Recorded Signals"; invented  
May 12, 1936 by:

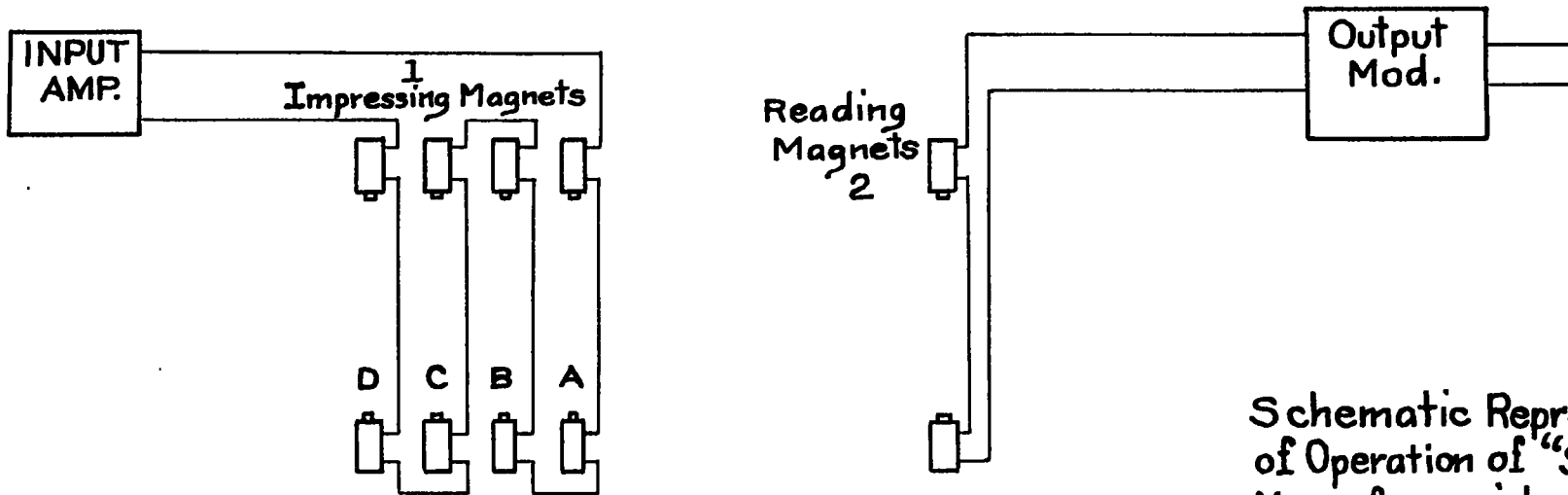
*William F. Friedman  
Frank B. Miller  
Capt., U.S.A.*

*Disclosed to me  
May 23, 1936*

*Solomon Kullback  
5311 8th St N.W., Wash. D.C.*

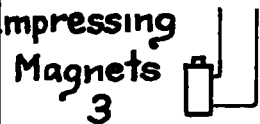
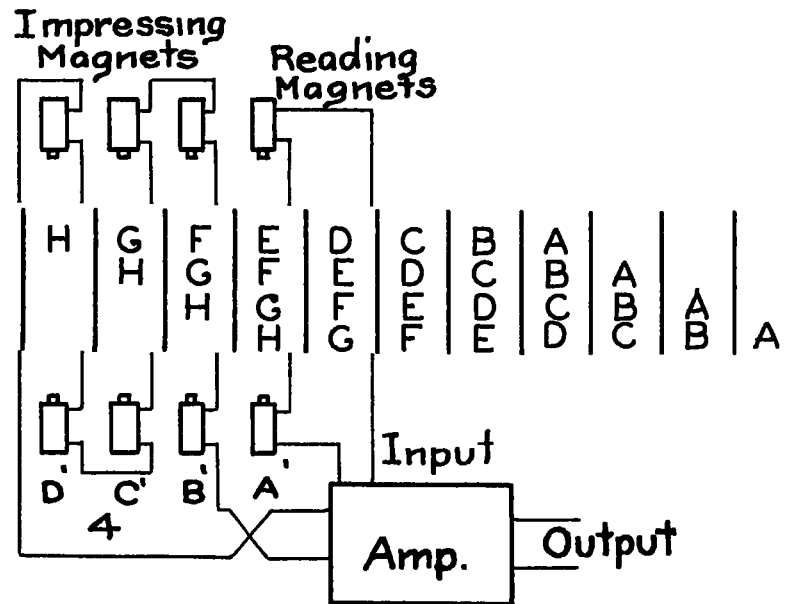
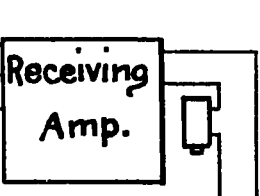
*Disclosed to me May 23, 1936  
Abraham Sinkov  
518 H St NW Wash. D.C.*

*(Scanner Note: Cont'd next page)*



Schematic Representation  
of Operation of "System and  
Means for enciphering and  
Deciphering Magnetically  
Recorded Signals"; Invented  
May 12, 1936 by:

*William F. Friedman*  
*7/1/1936*



*Disclosed to me*  
*May 23, 1936*  
*Solomon Kullback*  
*5311 8th St N.W., Wash. D.C.*  
*Disclosed to me May 23, 1936*  
*Abraham Sinkov*  
*518 H St NW Wash. D.C.*

COPY FOR MR. FRIEDMAN

WAR DEPARTMENT  
OFFICE OF THE CHIEF SIGNAL OFFICER  
WASHINGTON

8

May 25, 1936

MEMORANDUM FOR: Research and Development Division  
(THRU: War Plans & Training Division)

1. There are forwarded herewith two sketches and brief explanation of a "System and Means for Enciphering and Deciphering Magnetically-Recorded Signals", which is the joint invention of the undersigned.
2. Some doubt has been expressed with regard to the validity of the basic assumptions upon which the ideas embodied in the system now rest. It is understood that Mr. W. D. Herahberger of the Signal Corps Laboratories at Fort Monmouth has made rather extensive investigations in the field in which this system falls and that he is expected to be in Washington in the near future. A conference with him on this subject would be most desirable and it is requested that this be arranged for, if practicable.
3. If the system turns out to be theoretically sound in principle, it is desired that patent application be filed thereon.

Harrod G. Miller,  
Captain, Signal Corps.

William F. Friedman.

Attached:  
Two sketches.