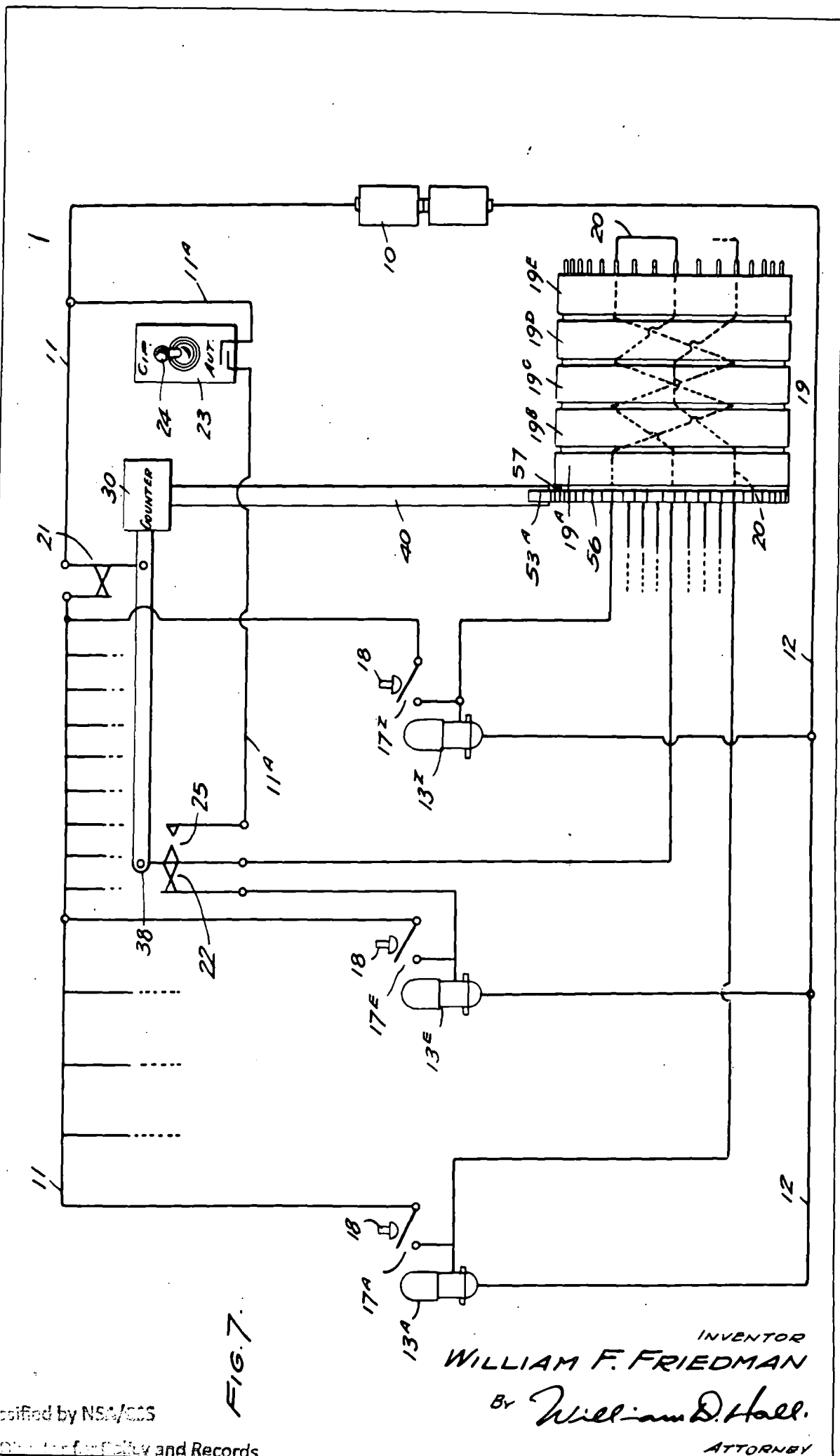


13447

~~CONFIDENTIAL~~



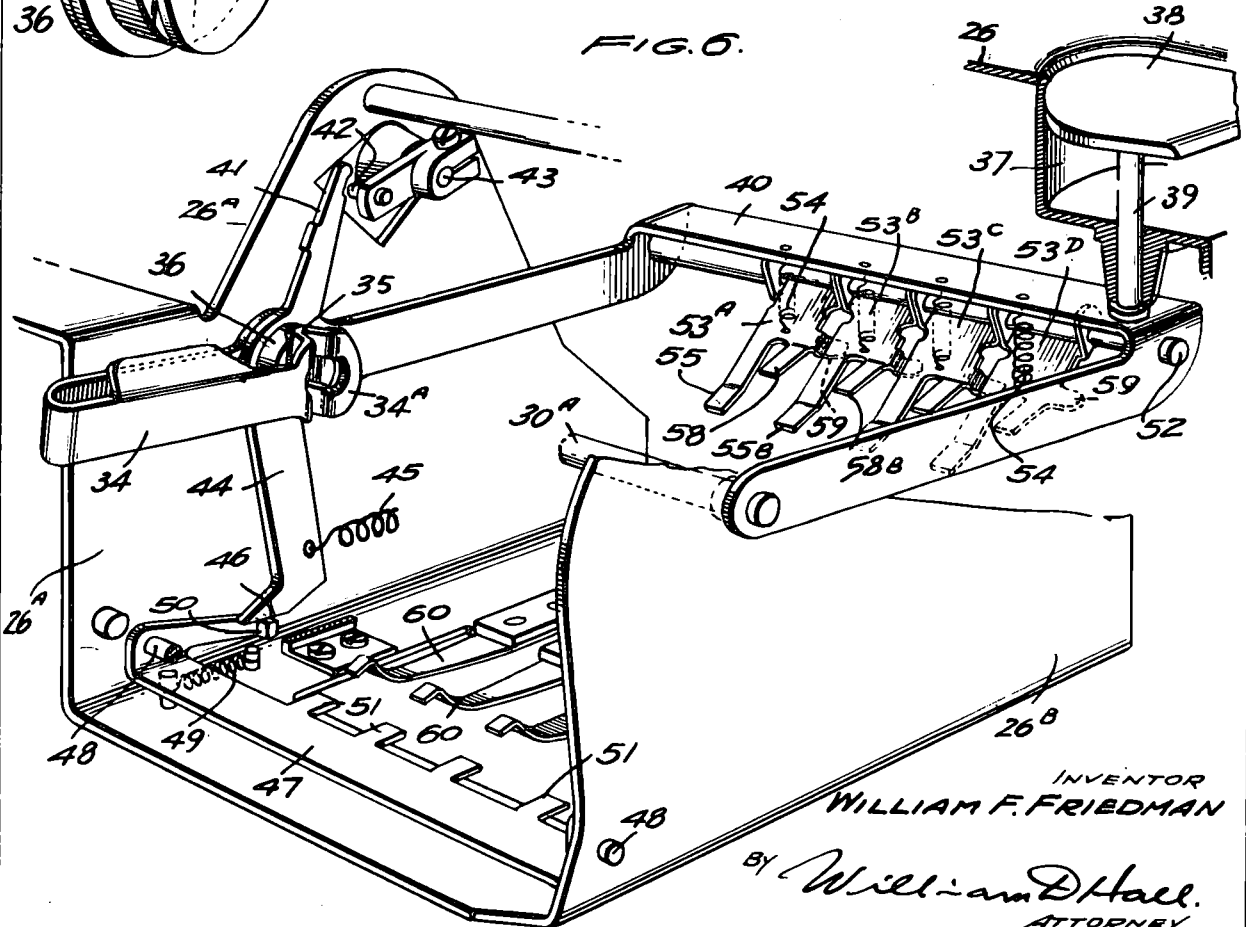
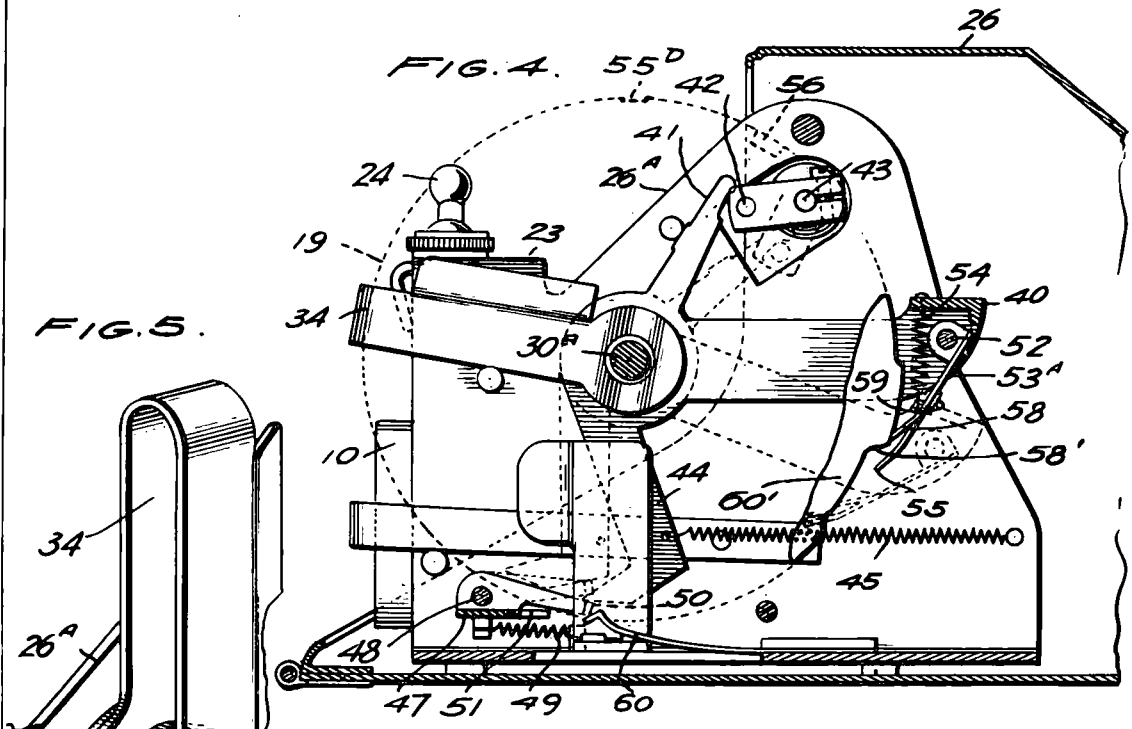
Declassified by NSA/CSS

Deputy Director, Office for Policy and Records

On 20140519 by BF

~~CONFIDENTIAL~~

Declassified and approved for release by NSA on 12-19-2014 pursuant to E.O. 13526



INVENTOR
WILLIAM F. FRIEDMAN

BY *William D. Hall.*
ATTORNEY

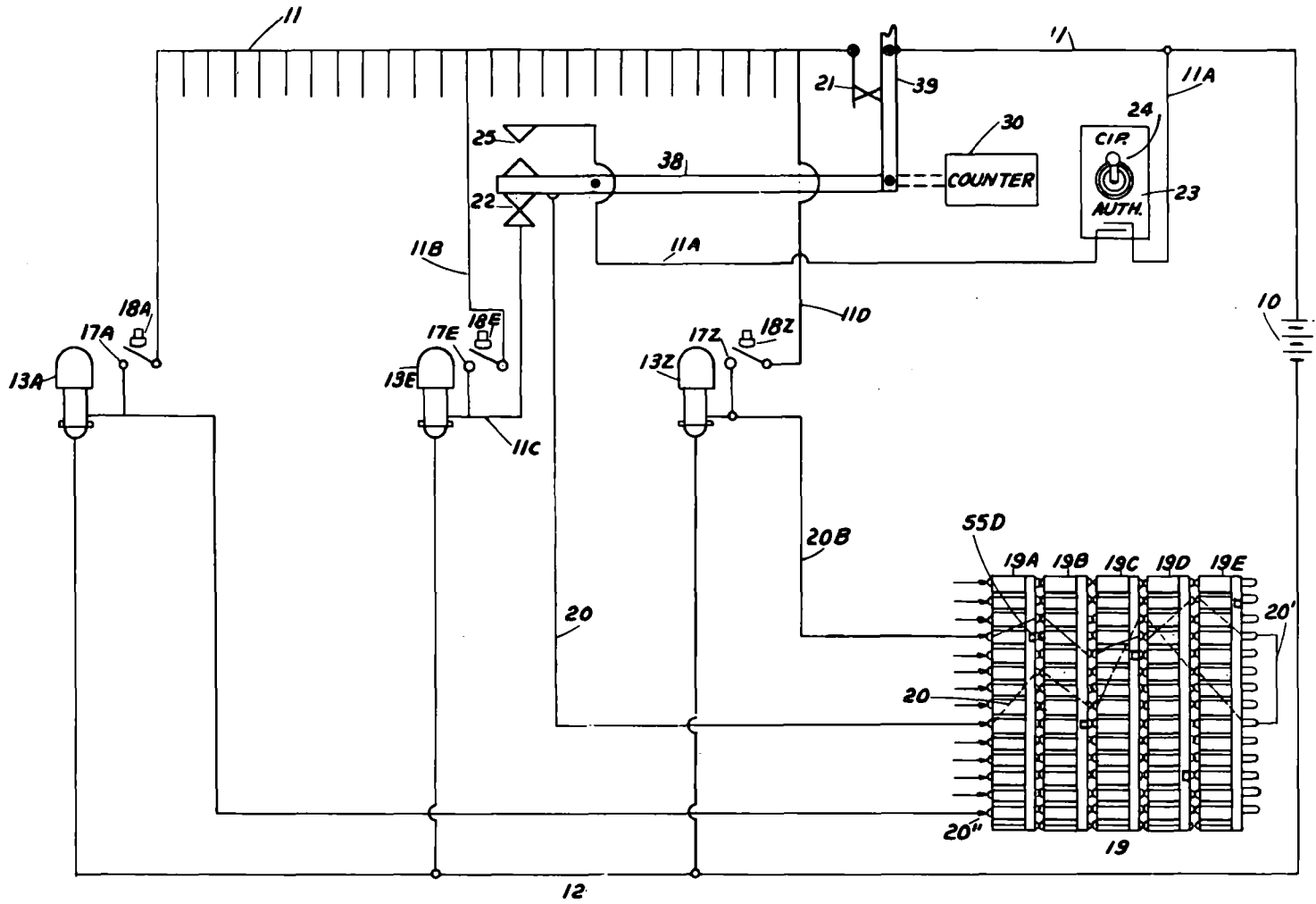
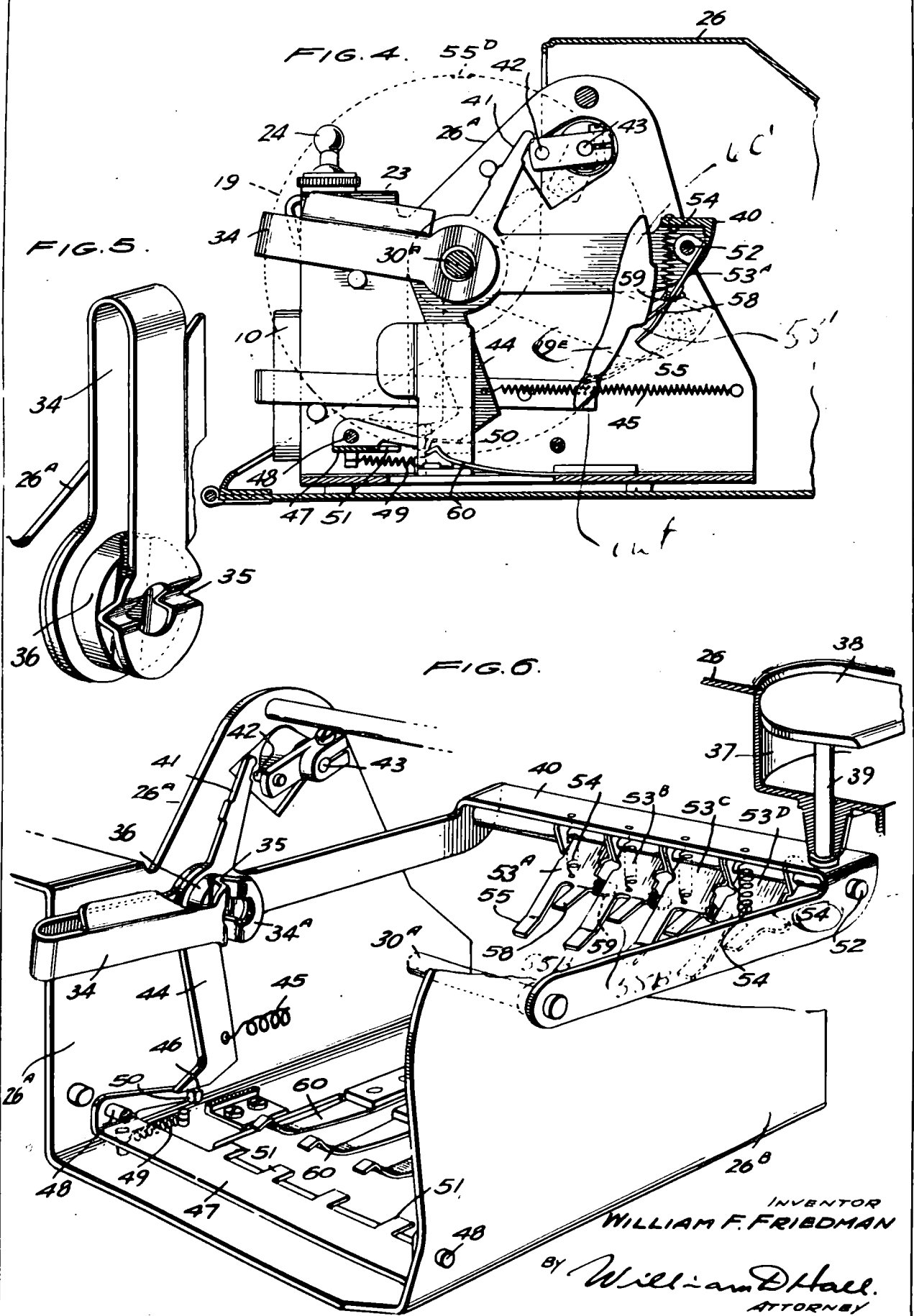


FIGURE 7

WILLIAM F. FRIEDMAN
 INVENTOR
William F. Friedman
 ATTORNEY

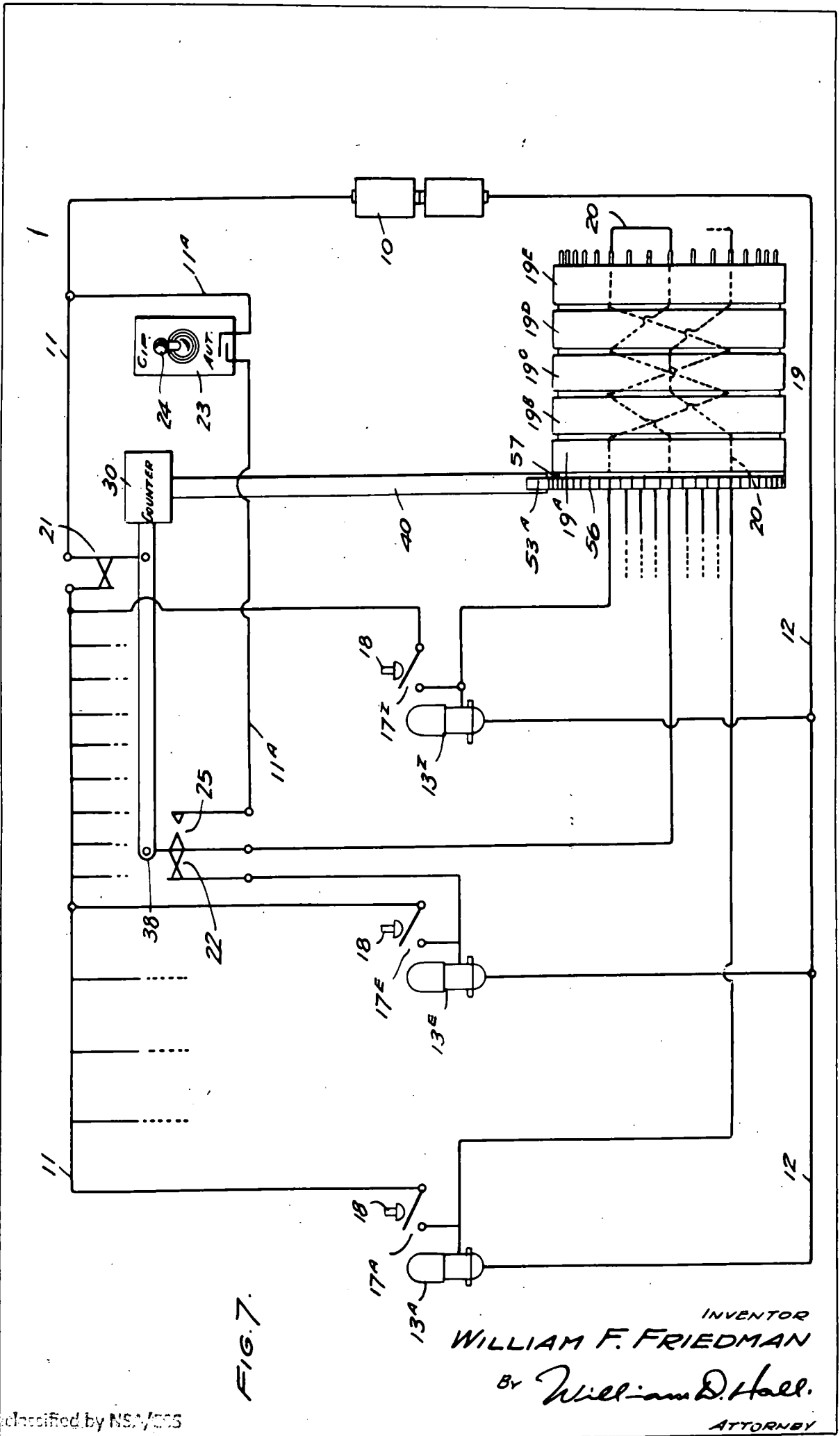


Declassified by NSA/CSS

Deputy Associate Director for Policy and Records

On 20140519 by BF

~~CONFIDENTIAL~~



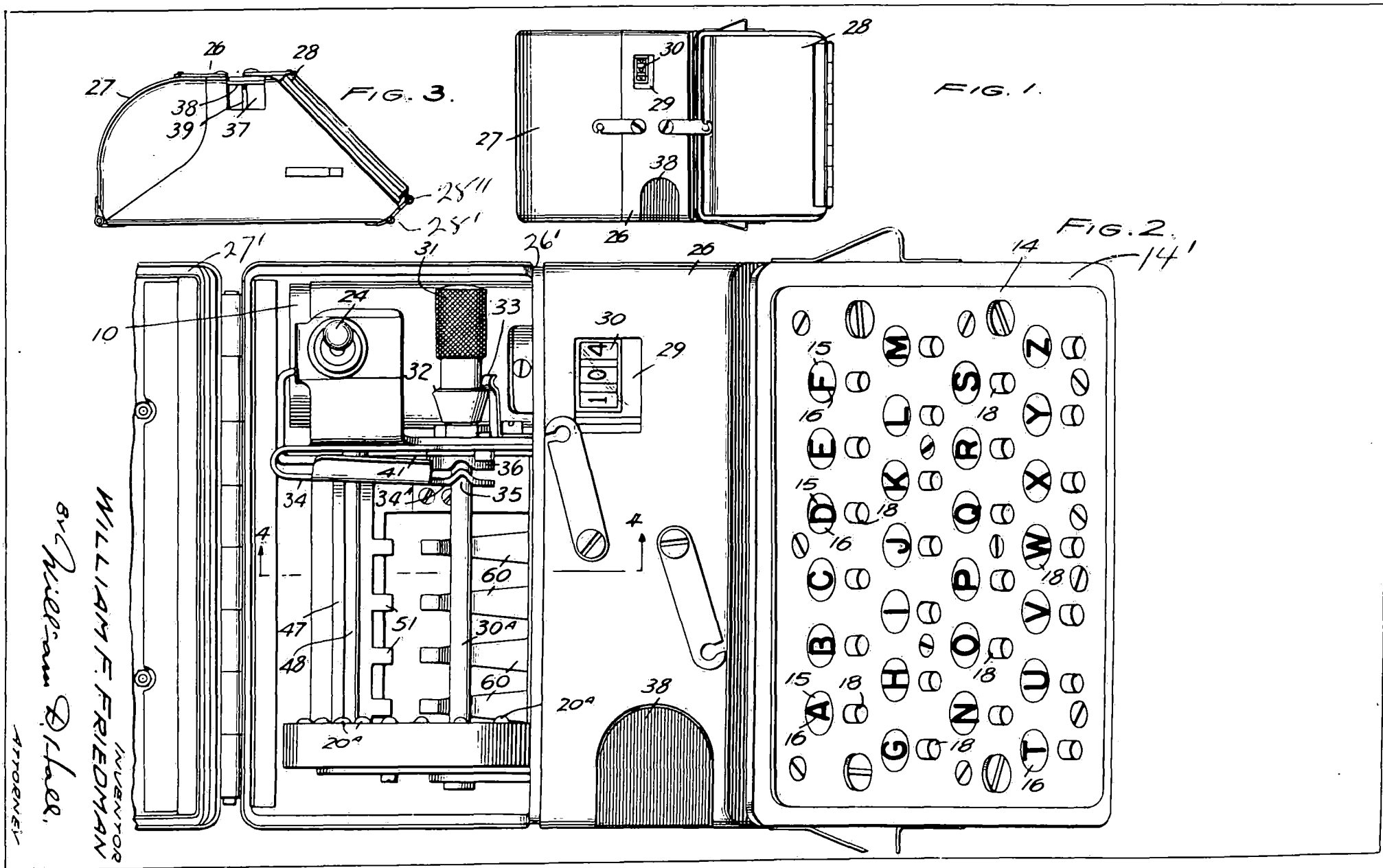
Declassified by NSA/CSS

Deputy Associate Director for Policy and Records

On 20140519 by BF

~~CONFIDENTIAL~~

~~CONFIDENTIAL~~



WILLIAM F. FRIEDMAN
 INVENTOR
 BY *William D. Ladd*
 ATTORNEY

~~CONFIDENTIAL~~

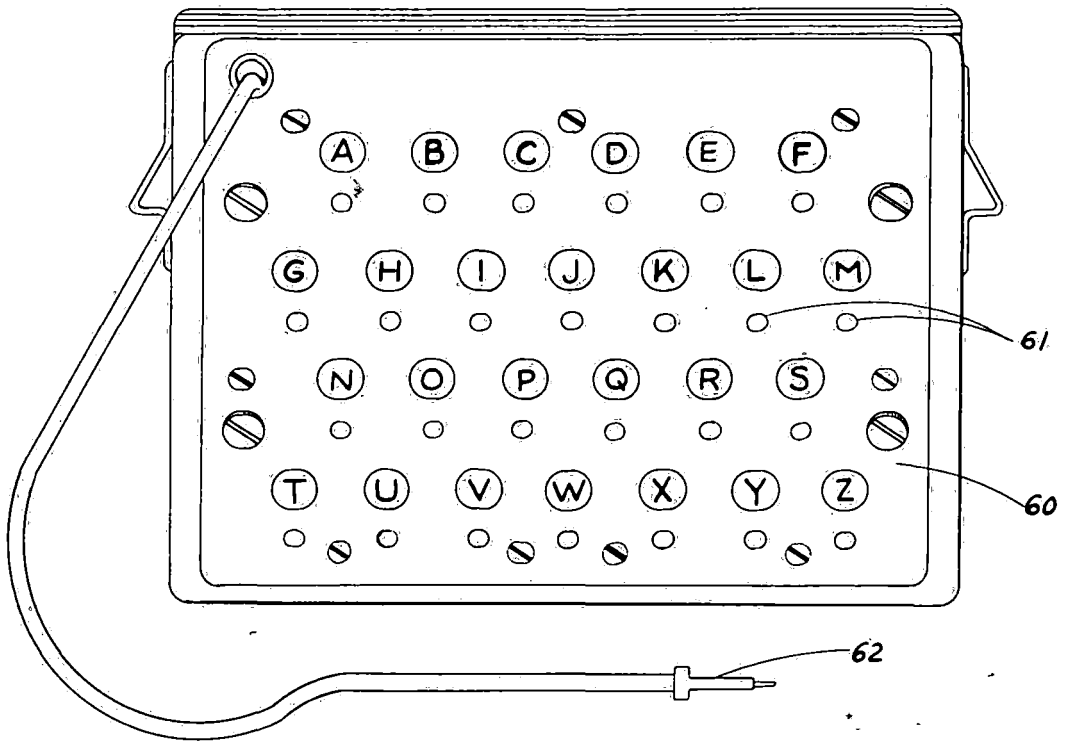


FIGURE 8

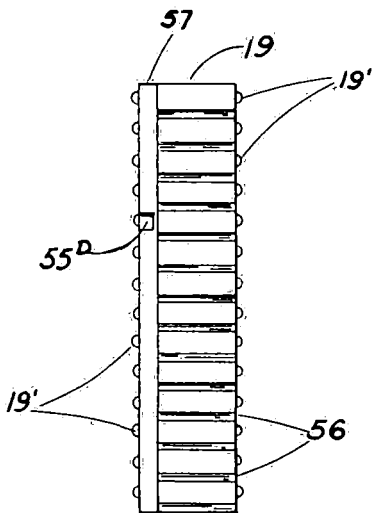


FIGURE 9

WILLIAM F. FRIEDMAN

INVENTOR

ATTORNEY